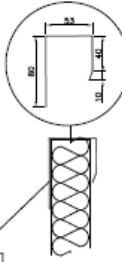
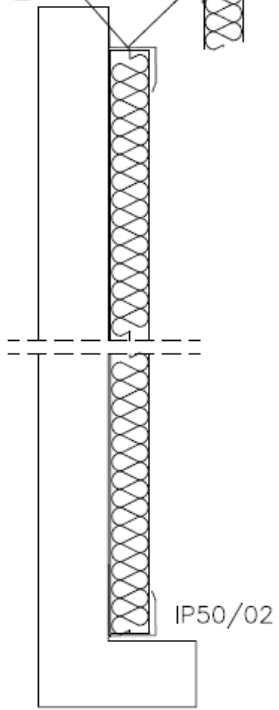


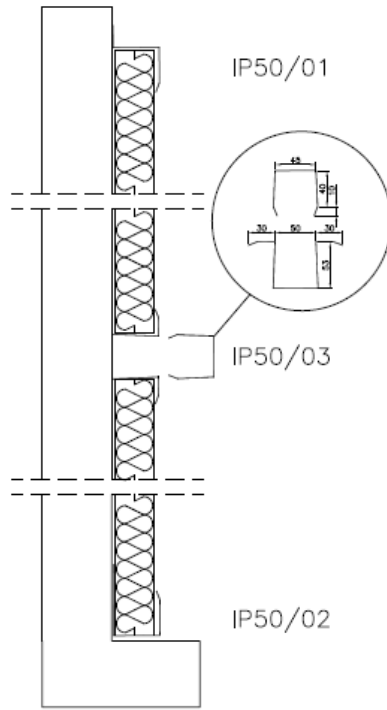
OPTION A - STANDARD  
IP50/01



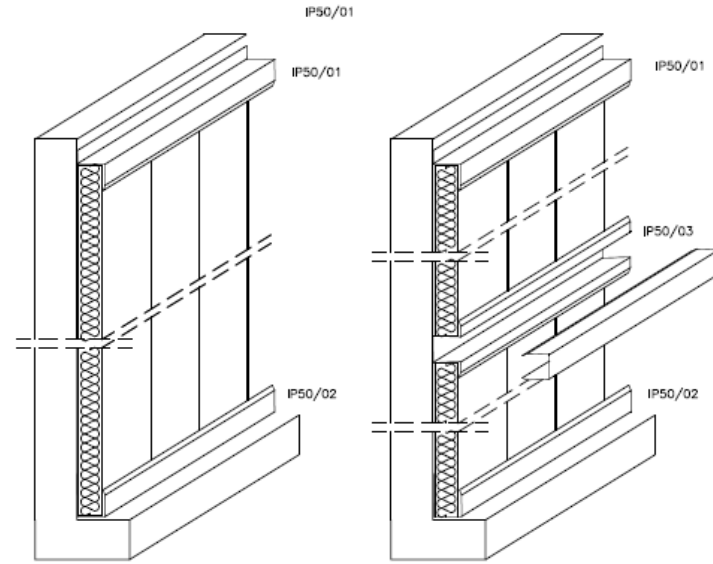
OPTION B (invisible screws)  
IP50/02



VERTICAL INSTALLATION  
FOR HEIGHT OF PANEL LESS  
THAN OR EQUAL TO 3 m.



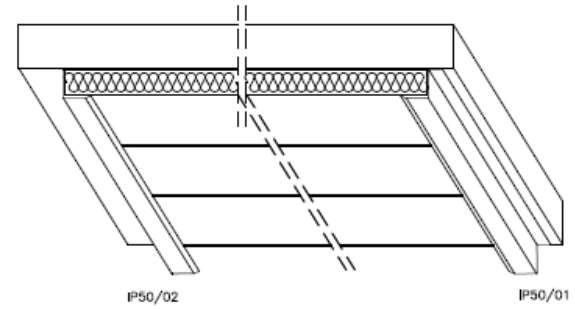
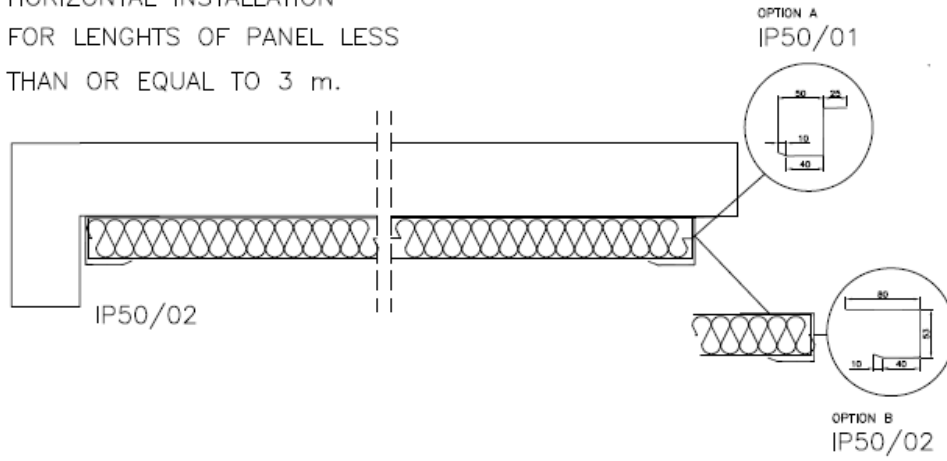
VERTICAL INSTALLATION  
FOR HEIGHTS UPPER  
THAN 3 m.



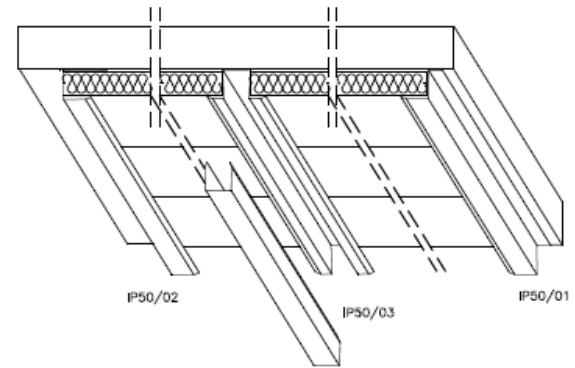
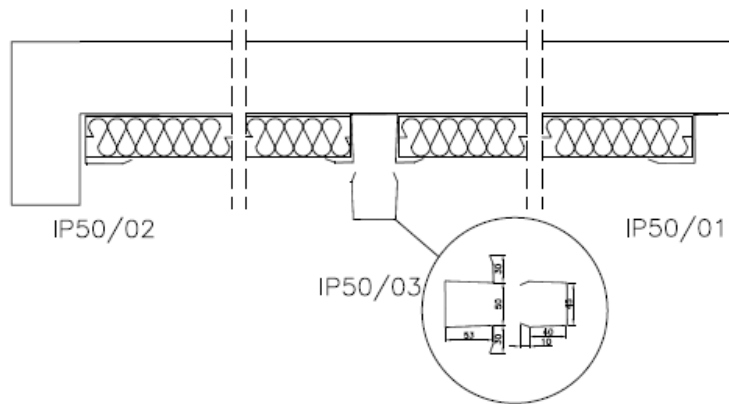
PANELS INSTALLATION IN VERTICAL WALLS

		Cliente:		
N°	AC-50			
N°	01			
		Revision		
	26/04/2011	A		NO
	26/04/2011			

HORIZONTAL INSTALLATION  
FOR LENGTHS OF PANEL LESS  
THAN OR EQUAL TO 3 m.

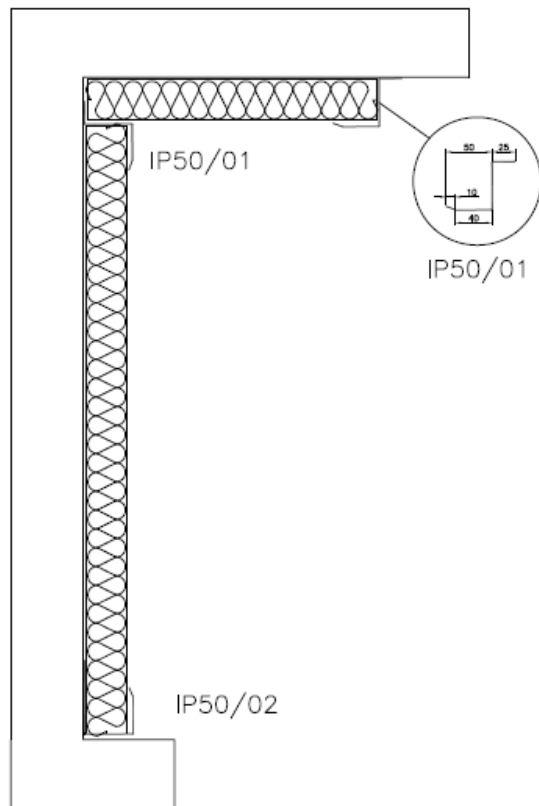


HORIZONTAL INSTALLATION  
FOR LENGTHS UPPER  
THAN 3 m.

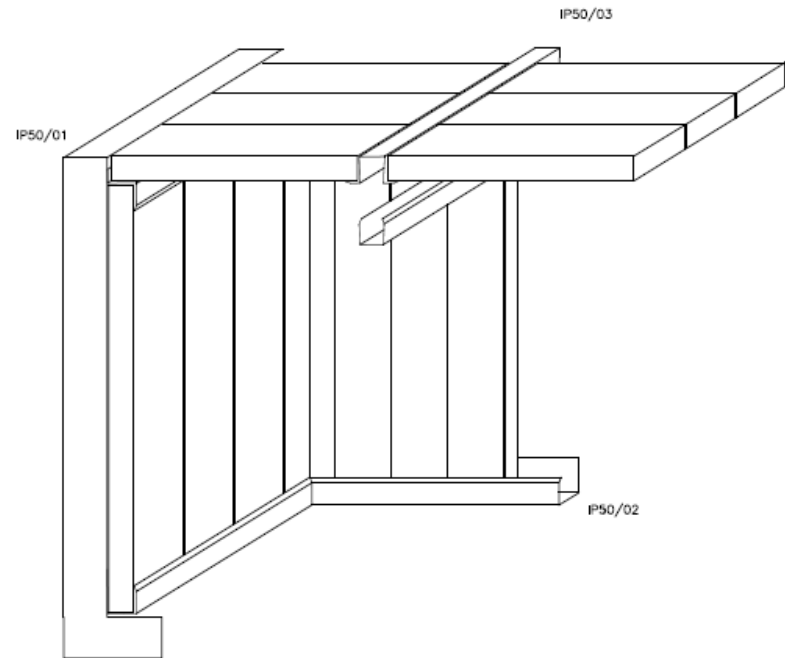


PANELS INSTALLATION IN HORIZONTAL WALLS

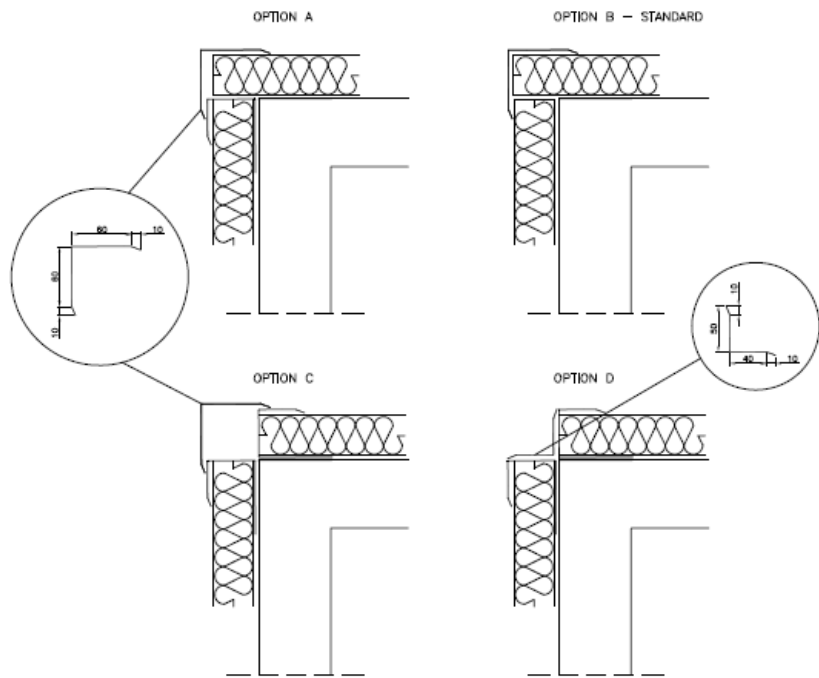
		Cliente:		
N°				
N°	02			
		Revision		
	26/04/2011	A		NO
	26/04/2011			



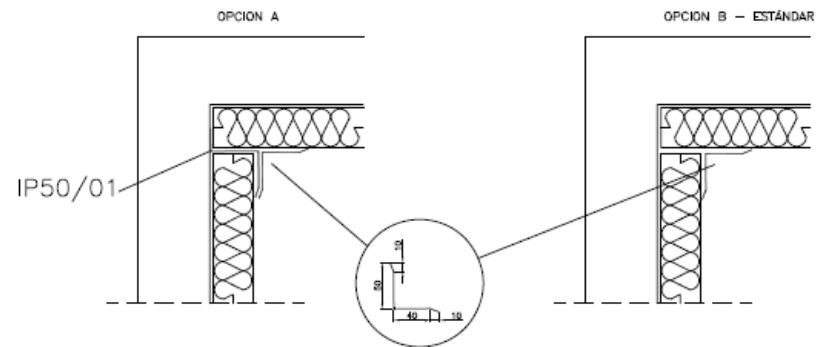
JOINT BETWEEN PANELS  
IN VERTICAL AND HORIZONTAL  
WALLS



		Cliente:			
N°	AC-50				
N°	03				
		Revision			
	26/04/2011	A			NO
	26/04/2011				



FINISH OFF TWO PANELS IN CORNERS  
WITH PROFILE TYPE IP50/05 (EXCEPT  
"D" OPTION REALIZED WITH IP50/04)



FINISH OFF TWO PANELS IN CORNERS  
WITH PROFILE TYPE IP50/04

		Cliente:		
N°	AC-50			
N°	04			
		Revision		
	26/04/2011	A		
	26/04/2011			NO